

# KOM300F

## 3 Port Unmanaged Din-Rail Copper to Fiber Media Converter



- 2 10/100Base-TX ports and 1 100Base-FX port
- EMC performance reaches industrial level 4
- IP30 protection class
- CE, FCC certificates



### Overview

KOM300F is an industrial fiber optic converter which can work in harsh electromagnetic environment and wide range of temperature. KOM300F supports not only 12VDC, 24VDC, 48VDC, but also support high voltage 110VDC and 220VAC/DC.

### Technical Specifications

#### Standard

IEEE 802.3i  
IEEE 802.3u

#### Switch Properties

MAC Table: 2K  
Packet Buffer: 1Mbit  
Packet Forwarding Rate: 0.8Mpps  
Switching Delay: <5μs

#### Interface

Fast Ethernet Fiber Ports: 1 100Base-FX, SM/MM port, FC/SC/ST connector  
Fast Ethernet RJ45 Ports: 2 10/100Base-TX RJ45 ports

#### LED

LEDs on Front Panel:  
Running LED: Run  
Power LED: PWR1, PWR2  
Interface LED: Link/ACT, Speed (RJ45 port)

#### Transmission Distance

Twisted Pair:  
100m (Standard CAT5, CAT5e network cable)  
Multi Mode Fiber:  
1310nm, 5km (100M)  
Single Mode Fiber:  
1310nm, 40km/60km (100M)  
1550nm, 60km/80km (100M)

#### Power Requirements

Power Input:  
Power Input: 12DCW(9-36VDC),48DC(36-72VDC),110DC(70-140VDC),  
220AC/DC(85-264VAC/120-370VDC)  
Power Terminal:  
3-pin 3.81mm-spacing plug-in terminal block  
Power Consumption: <4.1W

Overload Protection: Support  
Reverse Connection Protection: Support  
Redundancy Protection: Support

#### Physical Characteristics

Housing: Metal, fanless  
Protection Class: IP30  
Dimensions (WxHxD):  
36x100x75mm (1.42x3.94x2.95 in.)  
Weight: 0.3kg (0.661 pound)  
Mounting: DIN-Rail or Panel mounting

**Environmental Limits**

Operating Temperature: -40 to 85°C (-40 to 185°F)  
 Storage Temperature: -40 to 85°C (-40 to 185°F)  
 Ambient Relative Humidity: 5 to 95% (non-condensing)

**MTBF**

462,741 hrs

**Warranty**

5 years

**Approvals**

CE, FCC

**Industrial Standard**

EMI:  
 FCC CFR47 Part 15, EN55022/CISPR22, Class A

## EMS:

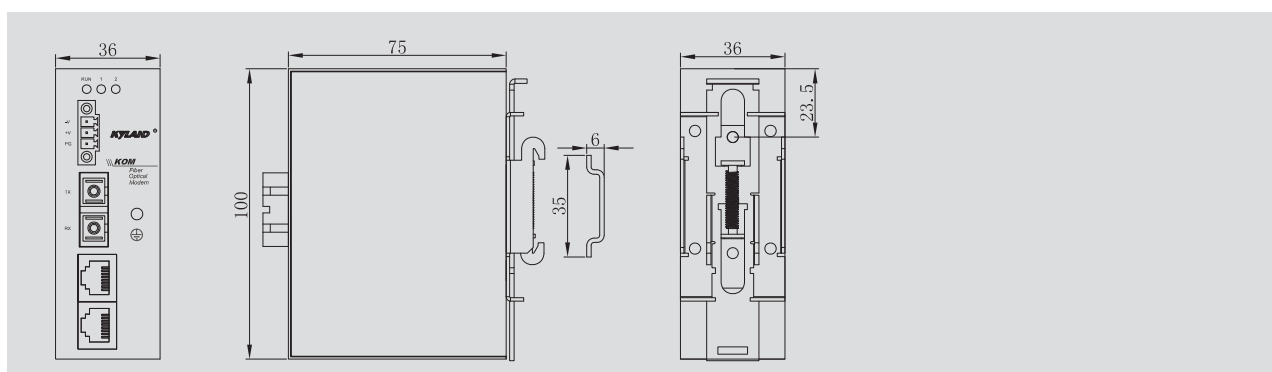
IEC61000-4-2 (ESD): ±8kV (contact), ±15kV (air)  
 IEC61000-4-3 (RS): 10V/m (80MHz-2GHz)  
 IEC61000-4-4 (EFT): Power Port: ±4kV; Data Port: ±2kV  
 IEC61000-4-5 (Surge): Power Port: ±2kV/DM, ±4kV/CM; Data Port: ±2kV  
 IEC61000-4-6 (CS): 3V (10kHz-150kHz); 10V (150kHz-80MHz)  
 IEC61000-4-16 (Common mode conduction): 30V (cont.), 300V (1s)

## Machinery:

IEC60068-2-6 (Vibration)  
 IEC60068-2-27 (Shock)  
 IEC60068-2-32 (Free Fall)

Industry: IEC61000-6-2

Railway: EN50155, EN50121-4

**Mechanical Drawing****Ordering Information**

KOM300F - \_\_\_\_\_ - \_\_\_\_\_ - \_\_\_\_\_ - \_\_\_\_\_  
 Ports Distance Connectors PS

**Ports**

1M-2T = 1 100Base-FX multi mode ports, 2 10/100Base-TX ports  
 1S-2T = 1 100Base-FX single mode ports, 2 10/100Base-TX ports

**Distance: Fiber Distance**

1310-5 = 1310nm, 5km  
 1310-40 = 1310nm, 40km  
 1310-60 = 1310nm, 60km  
 1550-80 = 1550nm, 80km

**Example Order Codes**

KOM300F-1M-2T-1310-5-SC-220AC/DC

1 100Base-FX multi mode fiber ports, 1310nm, 5km, SC connectors, and 2 10/100Base

**Connector: Fiber Connector**

SC = SC Connector  
 ST = ST Connector  
 FC = FC Connector

**PS: Power Supply**

12DCW = 9-36VDC, single power input  
 48DC = 36-72VDC, single power input  
 110DC = 70-140VDC, single power input  
 220AC/DC = 120-370VDC/85-264VAC, single power inputpower input