

SICOM3016

Layer 2 20 Port Managed Din-Rail IEC61850 Switch



- 4 100Base-FX SM/MM ports, 16 10/100Base-TX ports
- Supports DT-Ring protocols
- SNMPv3, HTTPS, SSH security features
- EMC performance reaches industrial level 4
- Supports 110VDC, 220VAC/DC power input
- CE, FCC certificates



Overview

SICOM3016 is a high-performance network-managed industrial Ethernet switch specially designed by KYLAND for industrial applications. It's DIN-Rail installation and supports max 4 100Base-FX and 16 10/100Base-T(X) ports. Its high-performance switch engine, solid and closed case, high-efficient single-rib-shape case for heat dissipation without using fans, overcurrent, overvoltage and EMC protection at power input side, and excellent EMC protection of RJ45 port allow SICOM3016 to work in harsh and dangerous industrial environments. The redundant function of optical fiber network, independent entire network management channel, dual redundant power inputs function, and powerful entire network real-time management system provide multiplex guarantee for reliable operation of the system.

Features & Benefits

- Redundancy Technology: supports DT-Ring protocols (recovery time<50ms) and MSTP
- Multicast Protocol: supports IGMP Snooping, GMRP and static multicast
- Network Partition: supports VLAN, PVLAN
- Service Quality: supports QoS
- Bandwidth Management: supports port trunking, port speed limit, broadcast storm control
- Network Management and Monitoring: supports CLI, Telnet, WEB management methods, Kyvision centralized management, SNMPv1/v2/v3, RMON, LLDP, SNTP, DHCP
- Network Security: supports DT-Psec, SSH, SSL, ACL
- Device Management: supports FTP upgrade
- Device Maintenance: supports port mirroring
- Alarm Output: supports IP/MAC conflicts, power, port and ring alarms
- Special Function: supports Link Check and Loop Status Check

Technical Specifications

Standard

IEEE802.3i, IEEE802.3u, IEEE802.3x, IEEE802.1p, IEEE802.1Q, IEEE802.1s

Protocols

DT-Ring, DT-Ring+, DT-VLAN, MSTP;
IGMP Snooping, GMRP;
VLAN, PVLAN;
Telnet, HTTP, HTTPS, SNMPv1/v2/v3, RMON, LLDP, SNTP, DHCP server;
DT-Psec, SSH, SSL, ACL;
FTP;
ARP, QoS

Switch Properties

Priority Queues: 4
Number of VLANs: 256
VLAN ID: 1-4094
Number of Multicast Groups: 256
MAC Table: 8K
Packet Buffer: 2Mbit
Packet Forwarding Rate: 3.0Mpps
Switching Delay: <5μs

Interface

Fast Ethernet Fiber Ports: max 4 100Base-FX SM/MM ports, FC/SC/ST connector
Fast Ethernet RJ45 Ports: 16 10/100Base-TX RJ45 ports
Console Port: RS232 (RJ45 connector)
Alarm Contact: 2-pin 3.81mm-spacing plug-in terminal block, 250VAC/350VDC Max, 120mA Max

LED

LEDs on Front Panel:
Running LED: Run
Alarm LED: Alarm
Power LED: PWR1, PWR2
Interface LED: Link/ACT, Speed (RJ45 port)

Transmission Distance

Twisted Pair: 100m (Standard CAT5, CAT5e network cable)
Multi Mode Fiber: 1310nm, 5km (100M)
Single Mode Fiber: 1310nm, 40km/60km (100M)
1550nm, 60km/80km (100M)

Power Requirements

Power Input: 24VDC (18-36VDC), 48VDC (36-72VDC), 110VDC (66-154VDC), 220VAC/DC (132-300VAC/176-400VDC)

Power Terminal:

3-pin 3.81mm-spacing plug-in terminal block (24VDC, 48VDC)

3-pin 7.62mm-spacing plug-in terminal block (110VDC, 220VAC/DC)

Power Consumption: <9.7W

Overload Protection: Support

Reverse Connection Protection: Support

Redundancy Protection: Support

Physical Characteristics

Housing: Aluminum, fanless

Protection Class: IP40

Dimensions (W×H×D): 75×165×123mm (2.95×6.50×4.84 in.)

Weight: 1.2kg (2.646 pound)

Mounting: DIN-Rail or Panel mounting

Environmental Limits

Operating Temperature: -40 to 85°C (-40 to 185°F)

Storage Temperature: -40 to 85°C (-40 to 185°F)

Ambient Relative Humidity: 5 to 95% (non-condensing)

MTBF

333,775 hrs

Warranty

5 years

Approvals

CE, FCC

Industrial Standard

EMI: FCC CFR47 Part 15, EN55022/CISPR22, Class A

EMS:

IEC61000-4-2 (ESD): ±8kV (contact), ±15kV (air)

IEC61000-4-3 (RS): 10V/m (80MHz-2GHz)

IEC61000-4-4 (EFT): Power Port: ±4kV; Data Port: ±2kV

IEC61000-4-5 (Surge): Power Port: ±2kV/DM, ±4kV/CM; Data Port: ±2kV

IEC61000-4-6 (CS): 3V (10kHz-150kHz); 10V (150kHz-80MHz)

IEC61000-4-16 (Common mode conduction): 30V (cont.), 300V (1s)

Machinery:

IEC60068-2-6 (Vibration)

IEC60068-2-27 (Shock)

IEC60068-2-32 (Free Fall)

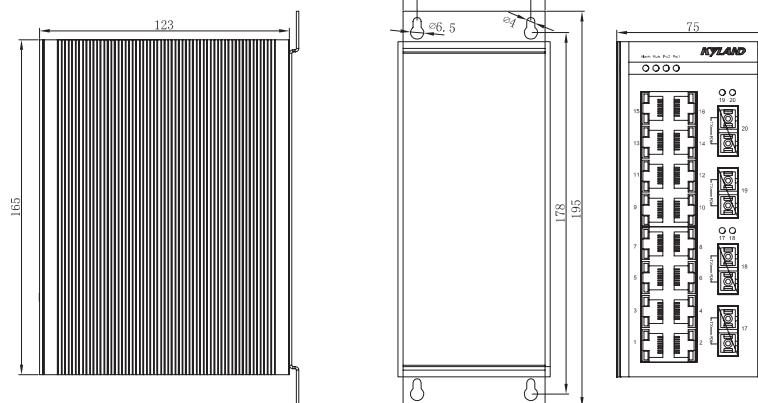
Industry: IEC61000-6-2

Railway: EN50155, EN50121-4

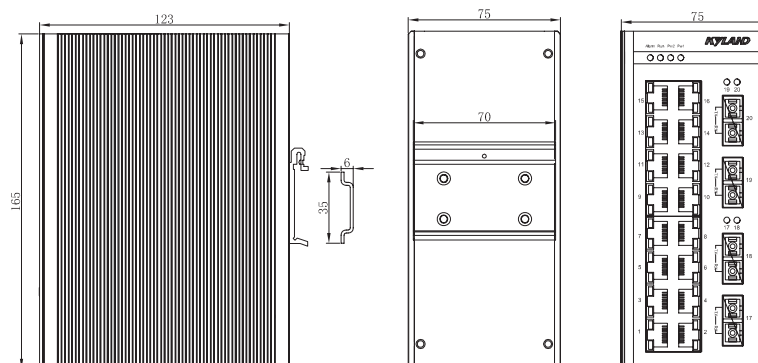
Traffic Control: NEMA TS-2

Mechanical Drawing

Panel Mounting



DIN-Rail Mounting



Ordering Information

Model	Fast Ethernet Port			Fiber Connector			Power Supply			
	100Base-FX Single Mode	100Base-FX Multi Mode	10/100Base-TX	SC	ST	FC	18-36VDC	36-72VDC	82-185VDC	85-264VAC/120-370VDC
SICOM3016-4S-16T	4	--	16							
SICOM3016-4M-16T	--	4	16							
SICOM3016-2S-16T	2	--	16							
SICOM3016-2M-16T	--	2	16							
SICOM3016-16T	--	--	16	--	--	--				
SICOM3016-4S-8T	4	--	8							
SICOM3016-4M-8T	--	4	8							
SICOM3016-2S-8T	2	--	8							
SICOM3016-2M-8T	--	2	8							

Please Select

Accessories

Model	Description
DT-BGAZ-05	Panel mounting kit
DT-FCZ-RJ45-01	RJ45 dustproof shield

Order Codes

SICOM3016- - - - -
FX Connector Distance TX PS

FX: Fiber Ports

2S= 2 100Base-FX single mode fiber ports
 4S= 4 100Base-FX single mode fiber ports
 2M= 2 100Base-FX multi mode fiber ports
 4M= 4 100Base-FX multi mode fiber ports

Connector: Fiber Connector

FC= FC connector
 SC= SC connector
 ST= ST connector
 SD= single fiber bi-direction, only for single mode, only SC connector (different price)

Distance: Fiber Distance

2= multi mode, 850nm, 2km

5 (or None)= multi mode, 1310nm, 5km (multi mode default)

40 (or None)= single mode, 1310nm, 40km (single mode default)

60= single mode, 1310nm, 60km (different price)

60L= single mode, 1550nm, 60km (different price)

80L= single mode, 1550nm, 80km (different price)

5T3R= single fiber bi-direction, 1550T/1310R, 20km (different price)

5R3T= single fiber bi-direction, 1550R/1310T, 20km (different price)

40/5T3R= single fiber bi-direction, 1550T/1310R, 40km (different price)

40/5R3T= single fiber bi-direction, 1550R/1310T, 40km (different price)

80/5T3R= single fiber bi-direction, 1550T/1310R, 80km (different price)

80/5R3T= single fiber bi-direction, 1550R/1310T, 80km (different price)

TX: Copper Ports

8T= 8 10/100Base-T(X) ports, RJ45 connector

16T= 16 10/100Base-T(X) ports, RJ45 connector

PS: Power Supply

24= 24VDC (18-36VDC), dual power inputs

48= 48VDC (36-72VDC), dual power inputs

110= 110VDC (66-154VDC), single power input

220A= 220VAC/220VDC (132-300VAC/176-400VDC), single power input

Example order codes

SICOM3016-4M-SC-16T-24

4 100M multi mode 1310nm 5km fiber ports with SC connector, 16 10/100Base-TX RJ45 ports, 24VDC dual power inputs.

Note: Please contact sales for different prices.