

SICOM1005R

5 Port IP67 Unmanaged Panel Mounting EN50155 Switch



- 5 10/100Base-TX ports with M12 connector
- IP67 protection class
- Supports broadcast storm control



Overview

The SICOM1005R-M12 IP67 unmanaged industrial Ethernet switch is specially designed for moving vehicles, rail transportation, and tunnels which circumstances have special requirements on anti vibration, corruption and humidity. It offers 5 10/100Base-T(X) ports with M12 connectors and the operating temperature is -40 to 85°C.

Technical Specifications

Standard

IEEE 802.3i, IEEE 802.3u, IEEE802.3x

Switch Properties

MAC Table: 1K
Packet Buffer: 512Kbit
Packet Forwarding Rate: 0.8Mpps
Switching Delay: <5μs

Interface

Fast Ethernet Ports: 5 10/100Base-TX ports with M12 connector

LED

LEDs on Front Panel:
Power LED: PWR
Interface LED: Link/ACT

Transmission Distance

Twisted Pair: 100m (Standard CAT5, CAT5e network cable)

Power Requirements

Power Input: 24VDC (18-36VDC), 110VDC (77-154VDC), 220VAC/DC (85-264VAC/120-370VDC)
Power Terminal: M12
Power Consumption: <2W
Overload Protection: Support
Reverse Connection Protection: Support

Physical Characteristics

Housing: Aluminum, fanless
Protection Class: IP67
Dimensions (W×H×D): 62×56×120 mm (2.44×2.20×4.72 in.)
Weight: 05kg (1.102 pound)
Mounting: Panel mounting

Environmental Limits

Operating Temperature: -40 to 85°C (-40 to 185°F)
Storage Temperature: -40 to 85°C (-40 to 185°F)
Ambient Relative Humidity: 5 to 95% (non-condensing)

MTBF

461,171 hrs

Warranty

5 years

Approvals

CE, FCC

Industrial Standard

EMI: FCC CFR47 Part 15, EN55022/CISPR22, Class A

EMS:

IEC61000-4-2 (ESD): ±8kV (contact), ±15kV (air)
IEC61000-4-3 (RS): 10V/m (80MHz-2GHz)
IEC61000-4-4 (EFT): Power Port: ±4kV; Data Port: ±2kV
IEC61000-4-5 (Surge): Power Port: ±2kV/DM, ±4kV/CM; Data Port: ±2kV
IEC61000-4-6 (CS): 3V (10kHz-150kHz); 10V (150kHz-80MHz)
IEC61000-4-16 (Common mode conduction): 30V (cont.), 300V (1s)

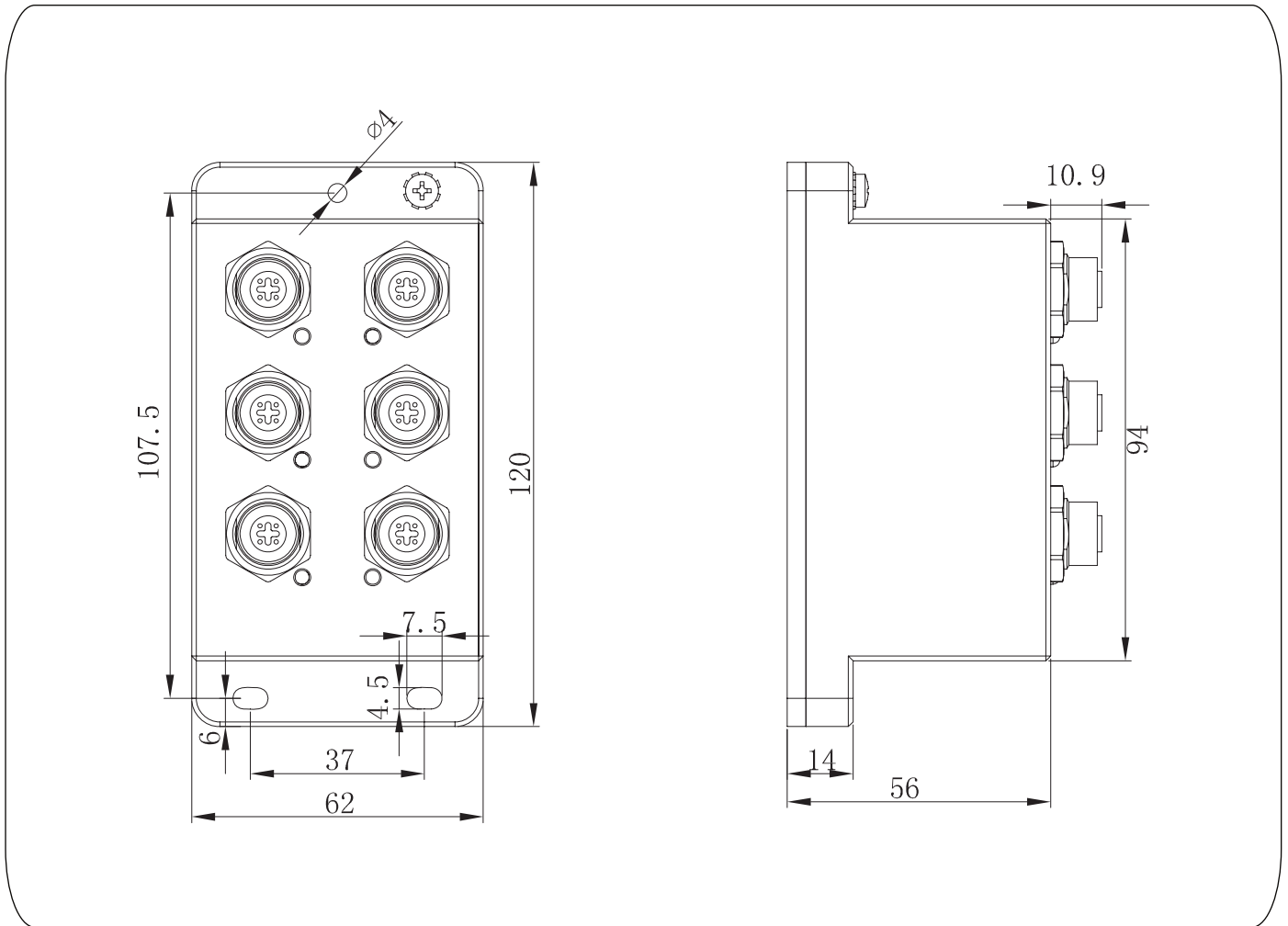
Machinery:

IEC61373 (Vibration and shock)
IEC60068-2-32 (Free Fall)

Industry: IEC61000-6-2

Railway: EN50155, EN50121-4

Mechanical Drawing



Ordering Information

Model	Fast Ethernet Port	Power Supply		
	10/100Base-TX	18-36VDC	77-154VDC	85-264VAC/ 120-370VDC
SICOM1005R-5T-M12	5			
SICOM1005R-B-5T-M12	5 (supports broadcast storm control)			

Please Select

Accessories

Model	Description
M12-4 Pin-99-3729-810-04	10/100Base-TX port connector
M12-4 Pin-99-1430-812-04	Power port connector

Order CodesSICOM1005R-____-5T-M12-____
 B **PS****B: Broadcast Storm Control**

B=with the broadcast storm control feature

None=without the broadcast storm control feature

PS: Power Supply

24=24VDC (18-36VDC), single power input

110=110VDC (77-154VDC), single power input

220A=220VAC/220VDC (85-264VAC/120-370VDC), single power input

Example order codes

SICOM1005-B-5T-M12-24

24 10/100Base-TX ports with M12 connectors, 24VDC(18-36VDC) power supply, supports broadcast storm control function