

## SFP-1G to FX

Gigabit to 100Base-FX SFP modules



- Transmission rate is up to 125Mb/s
- Built-in SGMII physical layer interface
- Working voltage is 3.3V
- Hot-swappable LC duplex connector
- Compliant with RoHS standard



### Technical Specifications

#### Standard

SFP MSA (INF-8074i), IEEE802.3ah

#### Interface

LC connector

#### Physical Characteristics

Protection Class: IP20

Dimensions (W×H×D): 13.7×8.5×57.2 mm (0.54×0.33×2.25 in.)

Weight: 40g (0.088 pound)

#### Environmental Limits

Operating Temperature: -40 to 85°C (-40 to 185°F)

Storage Temperature: -40 to 85°C (-40 to 185°F)

Ambient Relative Humidity: 5 to 95% (non-condensing)

#### Warranty

3 years

#### Approvals

RoHS

#### Industrial Standard

EMI:

FCC Part 15 Class B EN55022 Class B (CISPR 22B), VCCI Class B

EMS:

IEC61000-4-2 GR-1089-CORE

IEC61000-4-3

MIL-STD-883E Method 3015.7 Class 1 (>1.5KV)

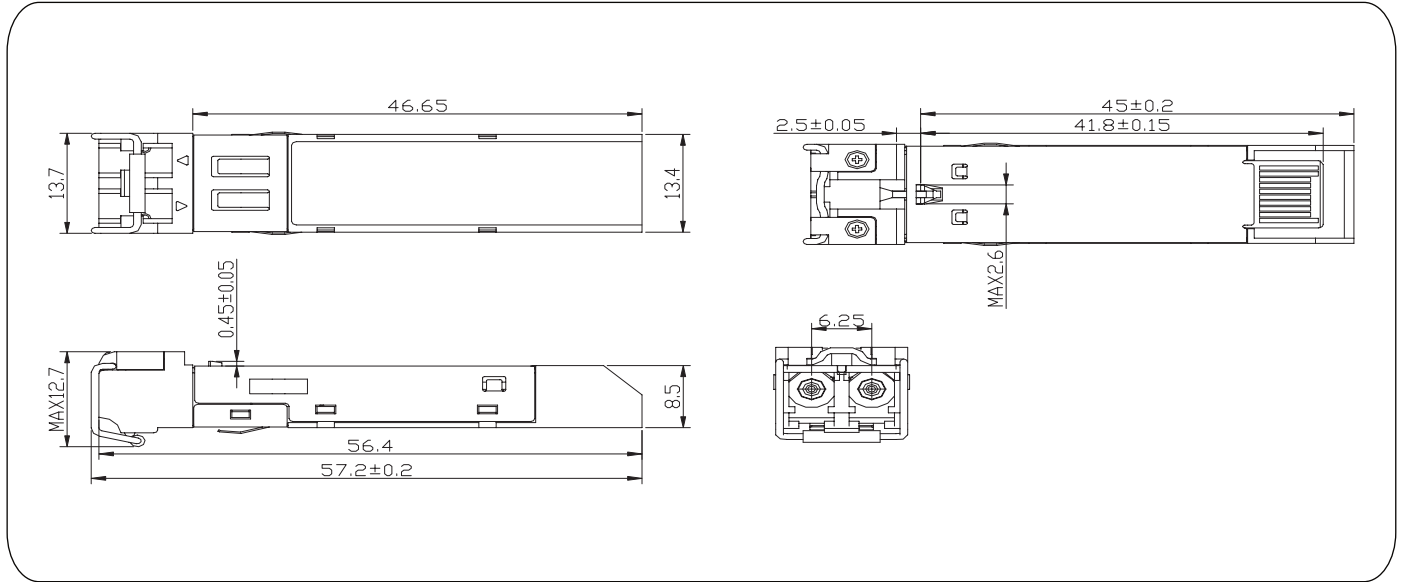
FDA 21CFR 1040.10 and 1040.11 EN60950, EN(IEC)60825-1, 2

### 1000Base to 100Base SFP (125Mbit/s) Parameter Table

Property	LX	LH
Type	Multi Mode (M)	Single Mode (S)
Center Wavelength (nm)	1310	1310
Transmission Distance (km)	2	10
Application Range of Transmission Distance (km)	0-2	0-10
Transmitting Optical Power	Mini. (dBm)	-15
	Max. (dBm)	-8
Receiving Sensitivity (dBm)	-31	-28
Overload Optical Power (dBm)	-8	-8

DT-DR-100W-48DC

## Mechanical Drawing



## Ordering Information

Model	Description			
	Single Mode or Multi Mode	Connector	Wavelength	Transmission Distance
IG-FSFP-M-LX-LC-1310-2	Multi Mode	LC	1310nm	2km
IG-FSFP-S-LX-LC-1310-10	Single Mode	LC	1310nm	10km