

SFP-1G

Gigabit SFP modules



- Transmission rate is up to 1.25Gb/s
- Working voltage is 3.3V
- Differential signal LVPECL input and output
- TTL signal detection
- Hot-swappable LC duplex connector
- UL, TüV certificates



Technical Specifications

Standard

SFP MSA (INF-8074i), IEEE802.3z, ITU-T G.695, FC-PI v2.0

Interface

LC connector

Physical Characteristics

Protection Class: IP20

Dimensions (W×H×D): 13.7×8.5×57.2 mm (0.54×0.33×2.25 in.)

Weight: 40g (0.088 pound)

Environmental Limits

Operating Temperature: -40 to 85°C (-40 to 185°F)

Storage Temperature: -40 to 85°C (-40 to 185°F)

Ambient Relative Humidity: 5 to 95% (non-condensing)

Warranty

3 years

Approvals

UL, TüV, RoHS

Industrial Standard

EMI:

CISPR22 ITE Class B, FCC Class B, CENELEC EN55022, VCCI Class1

EMS:

IEC61000-4-2 Class 2 (>4.0KV)

IEC61000-4-3 Class 2

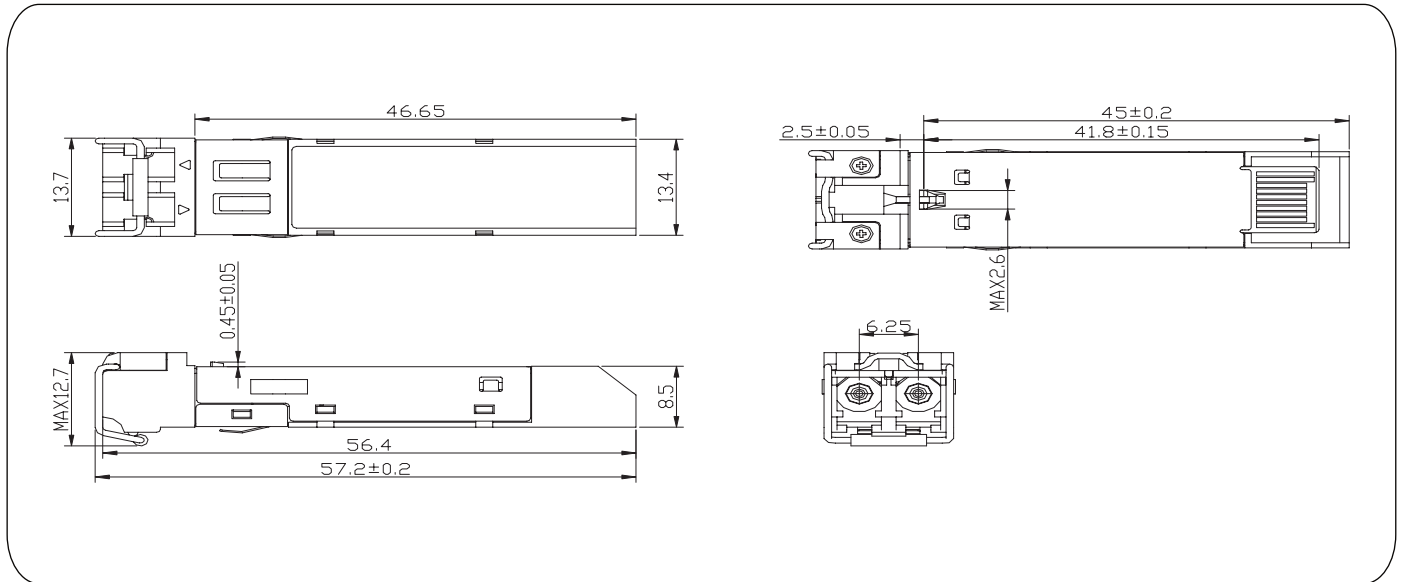
MIL-STD-883E Method 3015.7 Class 1 (>1.5KV)

1000Base SFP (1.25Gbit/s) Parameter Table

Property	SX	LX	LH	ZX	ZX	
Type	Multi Mode (M)	Single Mode (S)	Single Mode (S)	Single Mode (S)	Single Mode (S)	
Center Wavelength (nm)	850	1310	1310	1550	1550	
Transmission Distance (km)	0.55	10	40	60	80	
Application Range of Transmission Distance (km)	0-0.55	0-10	12-40	24-60	27-80	
Transmitting Optical Power	Mini. (dBm)	-11	-10	-4	-3	-2
	Max. (dBm)	-2	-3	3	4	5
Receiving Sensitivity (dBm)	-18	-21	-23	-22	-25	
Overload Optical Power (dBm)	0	-3	-3	-3	-3	

DT-DR-100W-48DC

Mechanical Drawing



Ordering Information

Model	Description			
	Single Mode or Multi Mode	Connector	Wavelength	Transmission Distance
IGSFP-TX-RJ45-0.1	--	RJ45	--	0.1km
IGSFP-M-SX-LC-850-0.55	Multi Mode	LC	850nm	0.55km
IGSFP-S-LX-LC-1310-10	Single Mode	LC	1310nm	10km
IGSFP-S-LH-LC-1310-40	Single Mode	LC	1310nm	40km
IGSFP-S-ZX-LC-1550-60	Single Mode	LC	1550nm	60km
IGSFP-S-ZX-LC-1550-80	Single Mode	LC	1550nm	80km

Please visit our website: www.kyland.cn for the latest updates.