

**KOM200***Unmanaged Din-Rail Serial to Fiber Media Converter*

- One fiber port, three types of serial ports (RS232/RS422/RS485)
- Transparent communication without the need of debugging, plug and play
- Serial ports have 15KV ESD protection circuit
- Serial ports support hot plugging
- Abundant power supply options
- EMC performance reaches industrial level 4

**Overview**

KOM200 provides optoelectronic switching for the low-rate signals of RS232, RS485 and RS422. It is specially designed for harsh industrial environment that has special requirements on electromagnetic immunity.

**Technical Specifications****Standard**

RS232, RS422, RS485

**Interface**

Fiber Ports: one SM/MM fiber port, FC/SC/ST connector

Serial Ports: 3 serial ports (RS232/RS422/RS485), 8-pin 3.81mm-spacing terminal block, RS485 interface can be connected to 32-128 nodes

**LED**

LEDs on Front Panel:

Running LED: Run

Interface LED: Link/ACT, Data (1, 2)

**Transmission Distance**

Serial Cable: RS232: 15m; RS422/RS485: 1200m

Multi Mode Fiber: 1310nm, 5km (100M)

Single Mode Fiber: 1310nm, 40km/60km (100M)  
1550nm, 60km/80km (100M)

**Power Requirements**

Power Input: 24VDC (9-36VDC), 48VDC (36-72VDC), 110VDC (72-144VDC), 220VAC/DC (85-264VAC/120-370VDC)

Power Terminal: 3-pin 3.81mm-spacing plug-in terminal block

Power Consumption: <3W

Overload Protection: Support

Reverse Connection Protection: Support

**Physical Characteristics**

Housing: Metal, fanless

Protection Class: IP30

Dimensions (W×H×D): 36×100×75mm (1.42×3.94×2.95 in.)

Weight: 0.3kg (0.661 pound)

Mounting: DIN-Rail or Panel mounting

**Environmental Limits**

Operating Temperature: -40 to 85°C (-40 to 185°F)

Storage Temperature: -40 to 85°C (-40 to 185°F)

Ambient Relative Humidity: 5 to 95% (non-condensing)

**MTBF**

1,162,867 hrs

**Warranty**

5 years

**Approvals**

CE, FCC

**Industrial Standard**

EMI: FCC CFR47 Part 15, EN55022/CISPR22, Class A

**EMS:**

IEC61000-4-2 (ESD): ±8kV (contact), ±15kV (air)

IEC61000-4-3 (RS): 10V/m (80MHz-1GHz)

IEC61000-4-4 (EFT): Power Port: ±4kV; Data Port: ±2kV

IEC61000-4-5 (Surge): Power Port: ±2kV/DM, ±4kV/CM; Data Port: ±2kV

IEC61000-4-6 (CS): 3V (10kHz-150kHz); 10V (150kHz-80MHz)

IEC61000-4-8 (Power frequency magnetic field): 100A/m (cont.), 1000A/m (1s-3s)

IEC61000-4-9 (Pulsed magnetic field): 1000A/m

IEC61000-4-10 (Damped oscillation): 30A/m

IEC61000-4-12 (Oscillatory wave): 2.5kV/CM, 1kV/DM

IEC61000-4-16 (Common mode conduction): 30V (cont.), 300V (1s)

**Machinery:**

IEC60068-2-6 (Vibration)

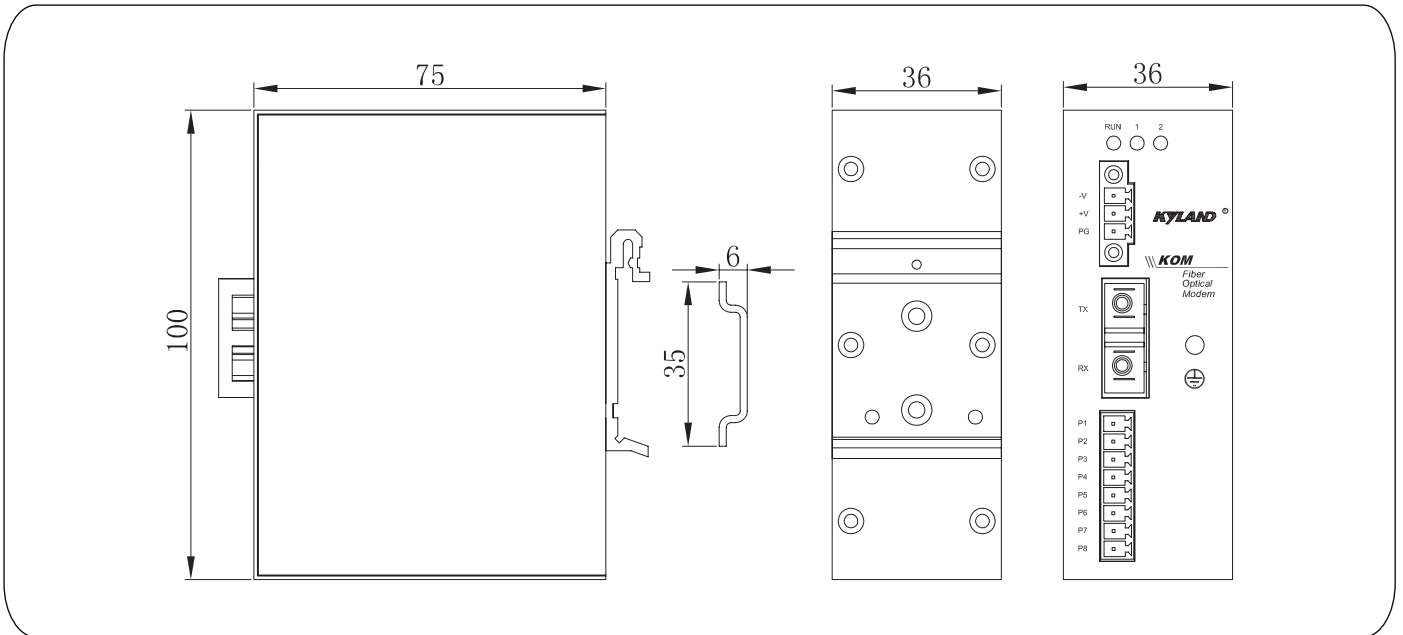
IEC60068-2-27 (Shock)

IEC60068-2-32 (Free Fall)

Industry: IEC61000-6-2

Railway: EN50155, EN50121-4

### Mechanical Drawing



### Ordering Information

Model	Fast Ethernet Port		Serial Port			Fiber Connector			Power Supply			
	100Base-FX Single Mode	100Base-FX Multi Mode	RS232	RS422	RS485	SC	ST	FC	9-36VDC	36-72VDC	72-144VDC	85-264VAC/120-370VDC
KOM200-S-232/422	1	--	1	1	--							
KOM200-M-232/422	--	1	1	1	--							
KOM200-S-485/232	1	--	2	--	1							
KOM200-M-485/232	--	1	2	--	1							
KOM200-S-485/232A	1	--	2	--	1*							
KOM200-M-485/232A	--	1	2	--	1*							
KOM200A-S-232	1	--	1	--	--							
KOM200A-M-232	--	1	1	--	--							

\*:The 2nd channel of RS232 and the 3rd channel of RS485 are multiplexing.

Please Select

### Accessories

Model	Description
KOMFrm	Rack mounting panel (482.6mm×132mm×128.5mm)

**Order Codes**

**KOM200** - \_\_\_\_\_ - \_\_\_\_\_ - \_\_\_\_\_ - \_\_\_\_\_ - \_\_\_\_\_  
**FX Connector Distance Serial PS**

**FX: Fiber Ports**

S= 1 100Base-FX single mode fiber port

M= 1 100Base-FX multi mode fiber port

**Connector: Fiber Connector**

FC= FC connector

SC= SC connector

ST= ST connector

SD= single fiber bi-direction, only for single mode, only SC connector (different price)

**Distance: Fiber Distance**

2= multi mode, 850nm, 2km

5 (or None)= multi mode, 1310nm, 5km (multi mode default)

40 (or None)= single mode, 1310nm, 40km (single mode default)

60= single mode, 1310nm, 60km (different price)

60L= single mode, 1550nm, 60km (different price)

80L= single mode, 1550nm, 80km (different price)

5T3R= single fiber bi-direction, 1550T/1310R, 20km (different price)

5R3T= single fiber bi-direction, 1550R/1310T, 20km (different price)

40/5T3R= single fiber bi-direction, 1550T/1310R, 40km (different price)

40/5R3T= single fiber bi-direction, 1550R/1310T, 40km (different price)

80/5T3R= single fiber bi-direction, 1550T/1310R, 80km (different price)

80/5R3T= single fiber bi-direction, 1550R/1310T, 80km (different price)

**Serial: Serial Ports**

232/422= 1 RS232 serial port, 1 RS422 serial port

485/232= 2 RS232 serial ports, 1 RS485 serial port

485/232A= 2 RS232 serial ports, 1 RS485 serial port (The 2nd channel of RS232 and the 3rd channel of RS485 are multiplexing)

232= 1 RS232 serial port, be able to connected with other standard RS232 fiber port

**PS: Power Supply**

24= 24VDC (9-36VDC), single power input

48= 48VDC (36-72VDC), single power input

110= 110VDC (72-144VDC), single power input

220A= 110VAC/220VAC/220VDC (85-264VAC/120-370VDC), single power input

**Example order codes**

KOM200-M-SC-485/232-24

1 100Base-FX multi mode 1310nm 5km fiber port with SC connector, 2 RS232 serial ports, 1 RS485 serial port, 24VDC single power input