



## KIEN6000

8 Port Managed  
Industrial Ethernet Switch

CE, FCC, RoHS,  
Chinese State  
Grid Certification

### Overview

KIEN6000 is an 8-port managed DIN-Rail Industrial Ethernet Switch. It comes with DT-Ring technology, which is developed by Kyland and used to set up a redundant Ethernet ring network. KIEN6000 also supports dual redundant power inputs. KIEN6000 offers 2 100Base-FX ports and 6 10/100Base-T(X) ports. With a web-based configuration interface, KIEN6000 ensures an easy installation and management of the switches.

### Features

1. Supports 2 100Base-FX ports and 6 10/100Base-T(X) RJ45 ports
2. Supports DT-Ring (recovery time <100ms) and STP
3. Supports QoS, VLAN, SNMP MIB V1/V2/V3, IGMP, port mirroring, port trunking, static MAC address binding
4. Complies with EMC industrial level 4 regulated in IEC61850-3 standard
5. Supports CLI, TELNET, WEB, management functions
6. Broadcast storm control
7. Abundant power supply options and dual redundant DC power inputs
8. Alarm output for the failure of power supply
9. Ribbed aluminum case for heat dissipation (patent), fanless design
10. Operating temperature: -40 to 85°C (-40 to 185°F)
11. DIN-Rail and wall-mounting
12. IP40 protection class

### Technical Specifications

#### Standard

IEEE802.3  
IEEE802.3u  
IEEE802.3x  
IEEE802.1p  
IEEE802.1q  
IEEE802.1d  
Store and forward switching mode

#### Network

Ring, chain and star network topology

#### Interface

100M Fiber Ports: 2 x 100Base-FX ports, FC/SC/ST  
10/100M Copper Ports: 6 x 10/100Base-T(X) ports, RJ45  
Alarm Contact: 2-Pin 3.81mm-spacing terminal block, 250VAC/350VDC Max; 120mA Max  
LED Indicators: RUN1, RUN2, PWR1, PWR2, LINK/ACT, 10M/100M

#### Cable

Twisted Pair: 0-100m ( Standard CAT5, CAT5e network cable)  
Multi Mode Fiber: 1310nm, 0-5km  
Single Mode Fiber: 1310nm, 0-40km; 1550nm, 0-80km

#### Power Requirements

Power input: 12VDC (9-18VDC), 24VDC (18-36VDC), 48VDC (36-72VDC), 110VDC (66-154VDC), 220VDC (220-370VDC), dual redundant power inputs, 110VAC (85-165VAC), 220VAC (165-265VAC), single power input  
Power terminal: 3-Pin 3.81mm-spacing plug-in terminal block  
Power consumption: <6W

#### Physical Characteristics

Casing: Ribbed aluminum case (fanless)  
Protection class: IP40  
Installation: DIN-Rail or wall mounting  
Dimensions (WxHxD): 55.4x139x119.5 mm (2.18x5.47x4.70 in.)  
Weight: 0.6kg (1.323 pound)

#### Environmental Limits

Operating Temperature: -40 to 85°C (-40 to 185°F)  
Storage Temperature: -40 to 85°C (-40 to 185°F)  
Ambient Relative Humidity: 0 to 95% (non-condensing)

#### Approvals

IEC61000-4-2 (ESD): ±4KV contact discharge, ±8KV air discharge  
IEC61000-4-3 (RS): 10V/M (80-1000MHz)  
IEC61000-4-4 (EFT): power line ±2KV, data line ±1KV  
IEC61000-4-5 (Surge): power line ±2KV CM/±1KV DM, data line ±1KV  
IEC61000-4-6 (CS): 3V (10KHZ-150KHZ), 10V (150KHZ-80MHz)  
IEC61000-4-8 (Power frequency magnetic field): 100A/m cont. 1000A/m, 1s to 3s  
IEC61000-4-12/18 (Damped oscillatory wave): 2.5KV CM, 1KV DM  
IEC61000-4-10 (Damped oscillatory): 30A/m  
IEC61000-4-16 (Common mode conduct): 30V cont. 300V, 1s  
FCC CFR47 Part 15/EN55022: Class A&B  
IEC61000-6-2 (Industrial Standards), EN50121-4 (Railway Applications)

CE, FCC, RoHS, Chinese State Grid Certification

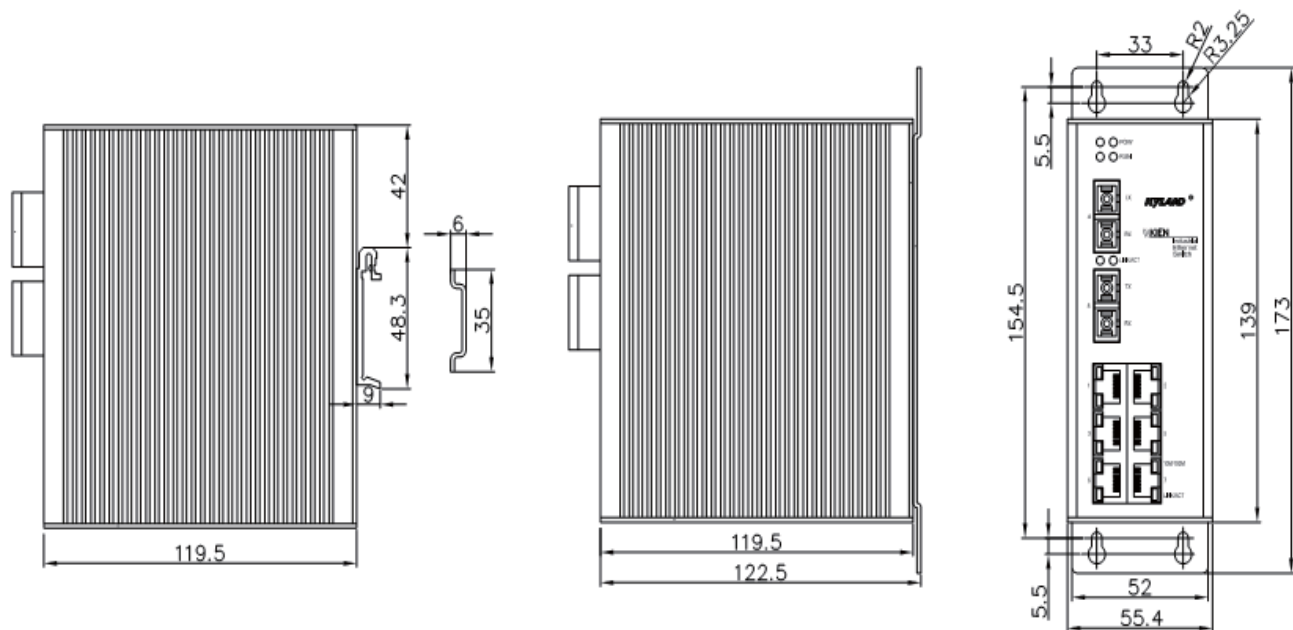
#### MTBF

35 years

#### Warranty

5 years

### Mechanical Drawing



### Ordering Information

Model	Description
KIEN6000-2S-6T	Managed Ethernet switch with 2 100Base-FX ports, single mode, FC/SC/ST connector, 6 10/100Base-T(X) ports, RJ45 connector, DIN-Rail, 12VDC (9-18VDC), 24VDC (18-36VDC), 48VDC (36-72VDC), 110VDC (66-154VDC), 220VDC (220-370VDC), dual redundant power inputs; 110VAC (85-165VAC), 220VAC (165-265VAC), single power input
KIEN6000-2M-6T	Managed Ethernet switch with 2 100Base-FX ports, multi mode, FC/SC/ST connector, 6 10/100Base-T(X) ports, RJ45 connector, DIN-Rail, 12VDC (9-18VDC), 24VDC (18-36VDC), 48VDC (36-72VDC), 110VDC (66-154VDC), 220VDC (220-370VDC), dual redundant power inputs; 110VAC (85-165VAC), 220VAC (165-265VAC), single power input

Power supply: 12VDC, 24VDC, 48VDC, 110VDC, 220VDC, dual redundant power inputs  
110VAC, 220VAC, single power input

### Order Codes

KIEN6000 - \_\_\_\_\_ - \_\_\_\_\_ - \_\_\_\_\_ - \_\_\_\_\_ - \_\_\_\_\_  
**FX Connector Distance TX PS**

#### FX: Fiber Ports

2M= 2 multi mode fiber ports  
2S= 2 single mode fiber ports

#### Connector: Fiber Connector

FC= FC connector  
SC= SC connector  
ST= ST connector  
SD= single fiber bi-direction, only for single mode, only SC connector (different price)

**Distance: Fiber Distance**

2= multi mode, 850nm, 2km  
5 (or None)= multi mode, 1310nm, 5km (multi mode default)  
40 (or None)= single mode, 1310nm, 40km (single mode default)  
60= single mode, 1310nm, 60km (different price)  
60L= single mode, 1550nm, 60km (different price)  
80L= single mode, 1550nm, 80km (different price)  
5T3R= single fiber bi-direction, 1550T/1310R, 20km (different price)  
5R3T= single fiber bi-direction, 1550R/1310T, 20km (different price)  
40/5T3R= single fiber bi-direction, 1550T/1310R, 40km (different price)  
40/5R3T= single fiber bi-direction, 1550R/1310T, 40km (different price)  
80/5T3R= single fiber bi-direction, 1550T/1310R, 80km (different price)  
80/5R3T= single fiber bi-direction, 1550R/1310T, 80km (different price)

**TX: Copper Ports**

6T= 6 10/100Base-T(X) ports, RJ45 connector  
PS: Power Supply  
12= 12VDC (9-18VDC), dual power inputs  
24= 24VDC (18-36VDC), dual power inputs  
48= 48VDC (36-72VDC), dual power inputs  
110=110VDC (66-154VDC), dual power inputs  
220= 220VDC (220-370VDC), dual power inputs  
110A=110VAC (85-165VAC), single power input  
220A=220VAC (165-265VAC), single power input

**Example order codes**

KIEN6000-2M-SC-6T-12  
2 multi mode 1310nm 5km fiber ports with SC connector, 6 10/100Base-TX RJ45 ports, 12VDC single power input